

# *Nederman*

## On tool extraction kits Simplifies keeping your workplace clean



# A solution for every tool and application

Nederman attachment kits for hand-held tools remove dust very efficiently during grinding, sanding, cutting etc. These operations create large amounts of dust.

Airborne dust and fine particles can be hazardous to the human health and should be extracted at source before it reaches the breathing zone. The operator should always be protected from inhaling dust.

On tool extraction provides very effective extraction, up to 99% of the airborne dust. It also ensures excellent freedom of movement and operator flexibility. Nederman attachment kits can be attached to both electric and pneumatic tools.

For more details on tools or applications, please ask your supplier for additional information!

## Product range dust extraction

Nederman has over 500 extraction kits in the standard range. Nederman has a dedicated resource that works with design and offer on tool extraction kits to our customers. We can both offer dust extraction from our standard range and also offer special kit for dust extraction, for machines that we not have a standard solution for.

Send manufacturing name and article number of the tool to us, and we will get back with a proposal of a on tool extraction solution.

## Examples of different on tool extraction kits for different applications



Atlas Copco LSF 17 / LSF 18  
Applications: Drilling and deburring in reinforced plastic (GRP)  
Attachment kit Art. No: 40301520 for LSF 17, 40301522 for LSF 18



DeWalt DW 831  
Applications: Grinding and sanding of metal, plastics, wood etc  
Attachment kit Art. No: 40409141



Atlas Copco LSV 27 / LSV 28 ST12  
Applications: Cutting of reinforced plastics (GRP) Cutting depth 15mm.  
Attachment kit Art. No: 40400650



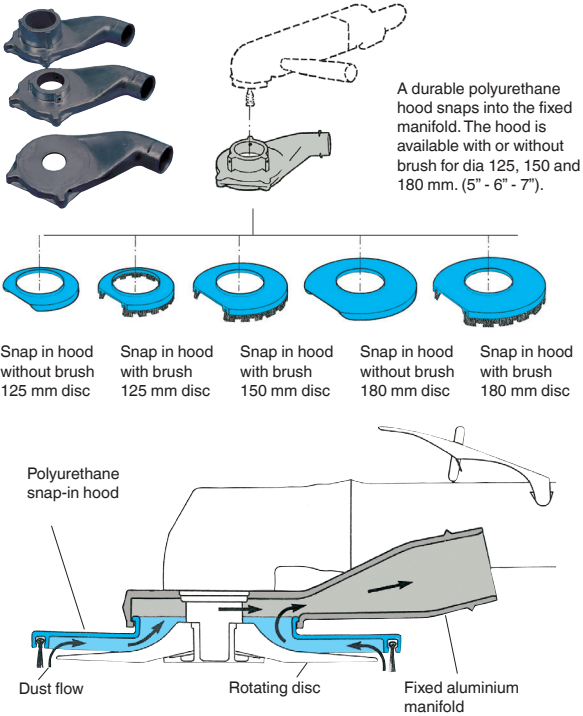
Chicago Pneumatic CP 860  
Applications: Grinding of metal, plastics, wood etc.  
Attachment kit Art. No: 40409310



# On tool extraction kits for sanders

## Kits for rotating sanders

The fixed aluminium manifold is available in many models to fit different tools.



Extraction kit fitted to dia 180 mm fibre disc sander.



The brush is easily replaced. Various heights with smooth or notched edges are available.

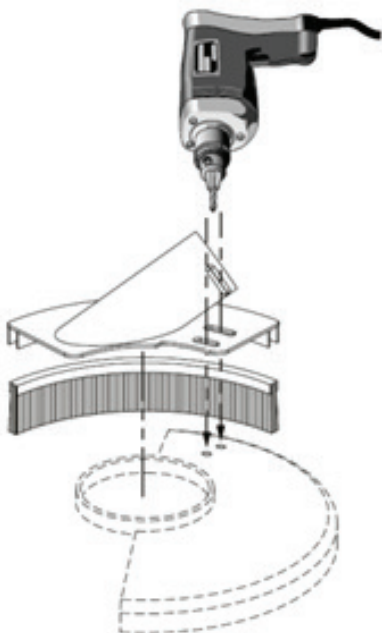


The snap in hood can be turned, so that the open section gives maximum accessibility and visibility.

## Universal on tool extraction kit

Add-on manifold is a universal solution of an on tool extraction kit for grinding tools.

Add-on manifold can be mounted on most grinders. You only need to drill 2 holes in the wheel guard on the tool.



Add-on is available in two different sizes:

For tools with grinding wheels in sizes 115-150mm and 180-230mm.



Add-On 115-150mm. Att. kit no. 40403214



Add-On 180-230mm. Att. kit no. 40403212

# Demo kit for lending

Nederman has demo kits for lending to sales/service companies and distributors, which include different tools for different applications: grinding and cutting. The tools are complete with abrasives, air hose and suction hose. The tools are pneumatically driven. See below content of demo kit. To borrow it, place an order to CSG (Customer Support Group) of demo kit 40451906.

Demo kit consists of:			Article no. 40451906
<p>Complete grinder for use with diamond pin. Suctions requirement: 125 m<sup>3</sup>/h.</p>			<p>Desoutter KC331-9 40301702 Suction kit 40501370 Diam. burr ø6mm 40272420 Hose kit. ø25mm</p>
<p>Complete grinder for use with diamond coated drum. Suction requirement: 125 m<sup>3</sup>/h.</p>			<p>Desoutter KC320-9 40409164 Suction kit 40503300 Diamcoat cyl. ø27mm 40272420 Hose kit ø25mm</p>
<p>Complete cutter for use with diamond blade 75 mm, cutting depth 15 mm. Suction requirement: 200 m<sup>3</sup>/h.</p>			<p>Desoutter KA 320C3 40409170 Suction kit 40507310 Diamond blade 75 mm 40273250 Hose kit ø32mm</p>
<p>Complete grinder for use with fibre disc 125 mm Suction requirement: 250 m<sup>3</sup>/h.</p>			<p>Desoutter KA 16 120 B 40409357 Suction kit 40272440 Hose kit ø38mm</p>
<p>Complete grinder for use with fibre disc 180 mm Suction requirement: 250 m<sup>3</sup>/h.</p>			<p>Atlas Copco 8423 0125 30 LSV 28 S060 40400790 Suction kit 40272440 Hose kit ø38mm</p>

# On tool extraction laboratory

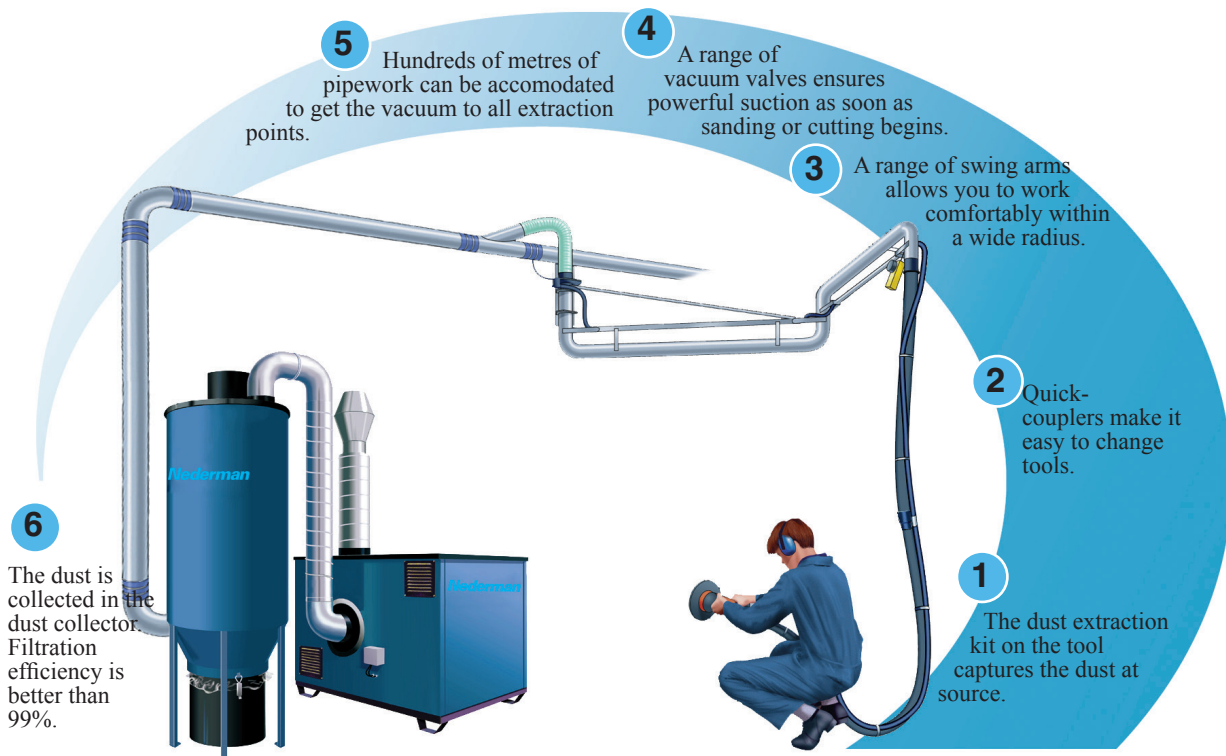
Nederman has a dust extraction laboratory, where we assemble and test prototypes of on tool extraction kits. Here we have many different manifold shapes, suitable for many different tools.



Test of prototype

## The on tool extraction kits are part of Nederman's High Vacuum System

A range of attachment kits are available to fit more than five hundred tools, and the system is suited to most sanding, grinding and cutting jobs. Nederman's High Vacuum System allows many different tasks to be performed. The installation can be used to remove sanding dust, metal particles and welding fumes. And it is ideal for general cleaning.





The Nederman Group is one of the world's leading suppliers of products and solutions within the environmental technology sector, focusing on industrial air filtration and recycling.

Nederman products and solutions contribute to reducing the environmental impact from industrial production processes and to creating a safe and clean working environment whilst boosting production efficiency.

The Group's offering covers everything from the design stage through to installation, commissioning and servicing.

Nederman has subsidiaries in 31 countries and agents and distributors in over 30 countries.

Nederman is ISO 9001 and 14001 certified. The Group develops and produces in its own manufacturing and assembly units in Europe, North America and Asia.

The Group is listed on Nasdaq OMX Stockholm.

***Nederman***

[www.nederman.com](http://www.nederman.com)